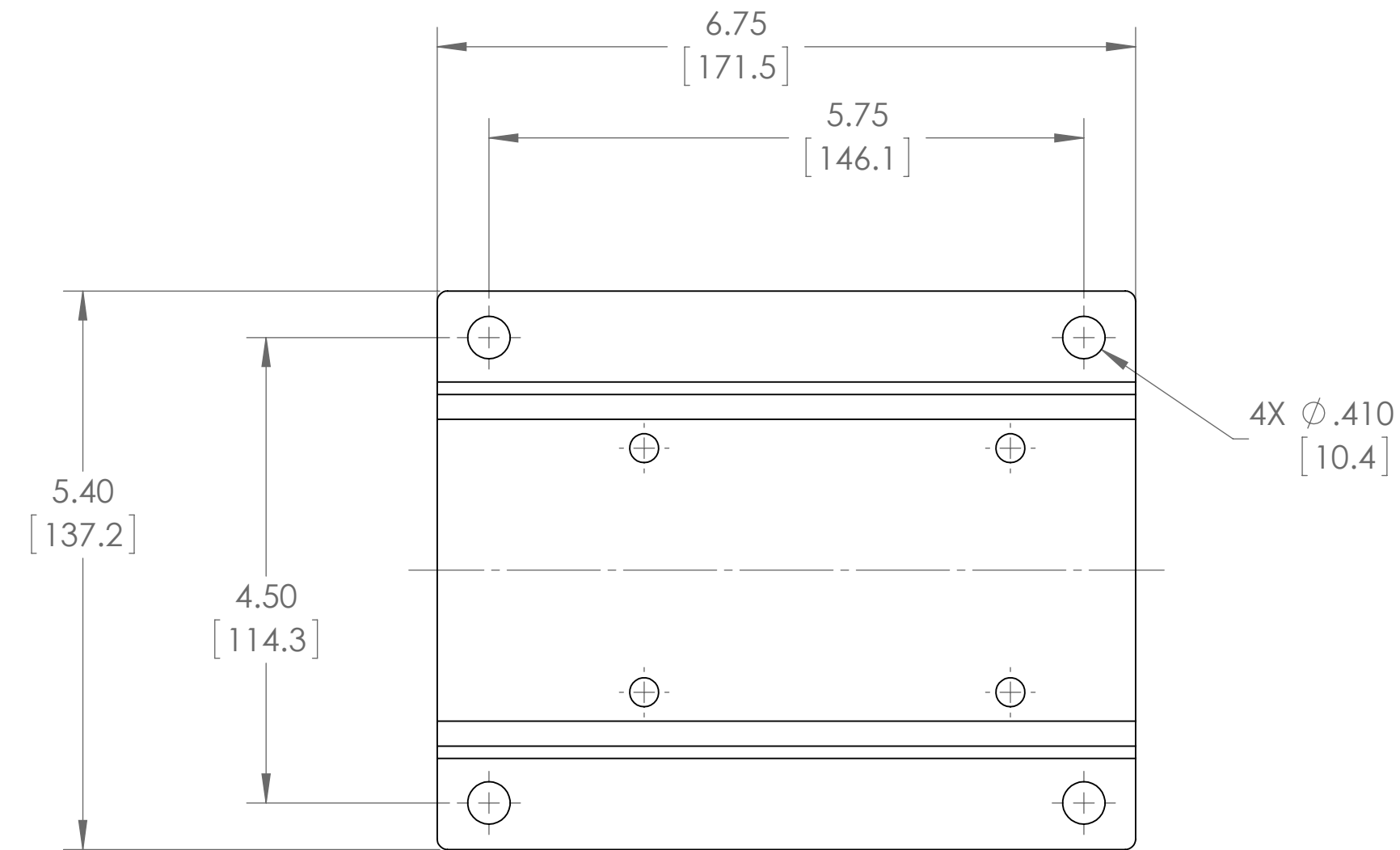
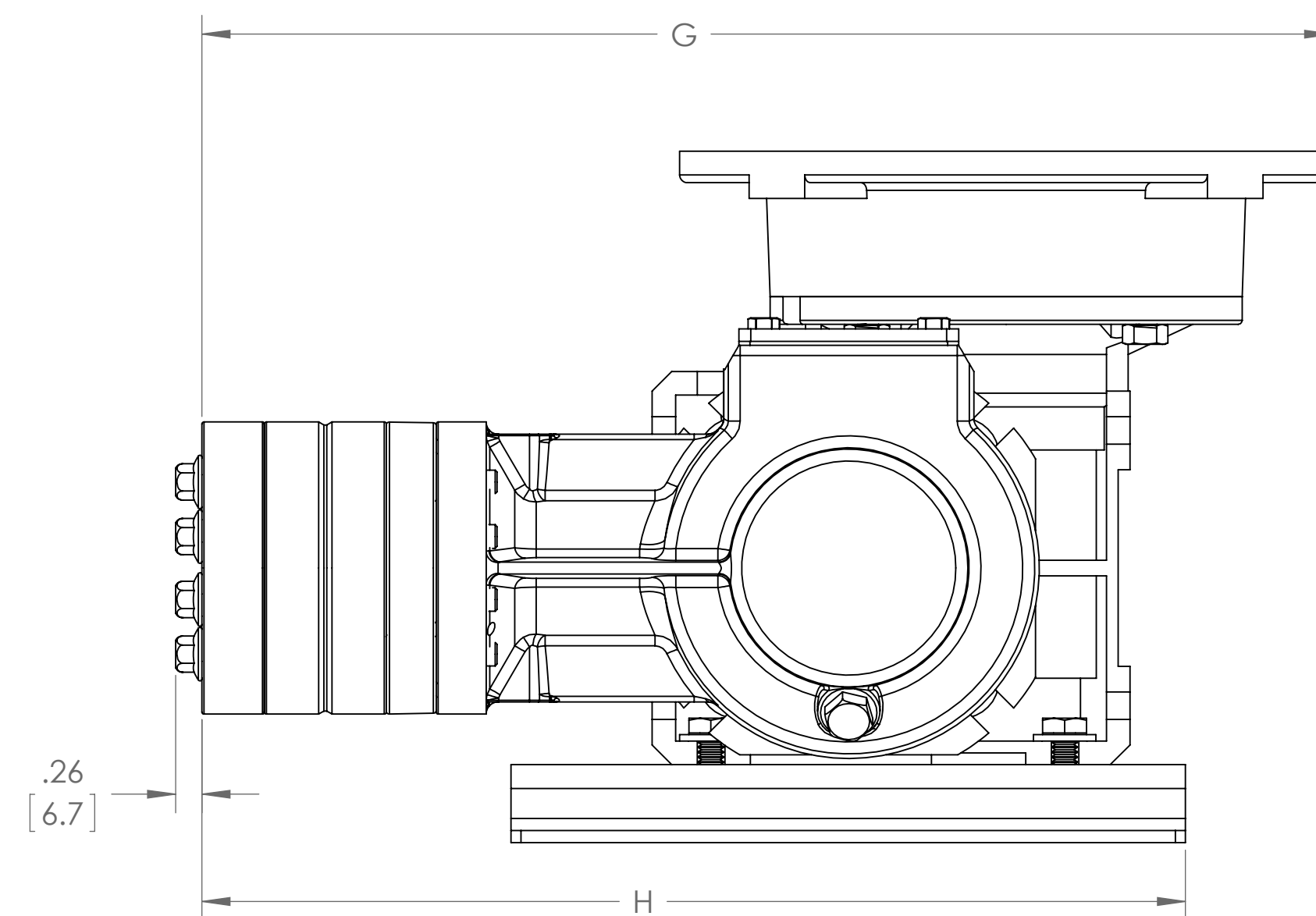
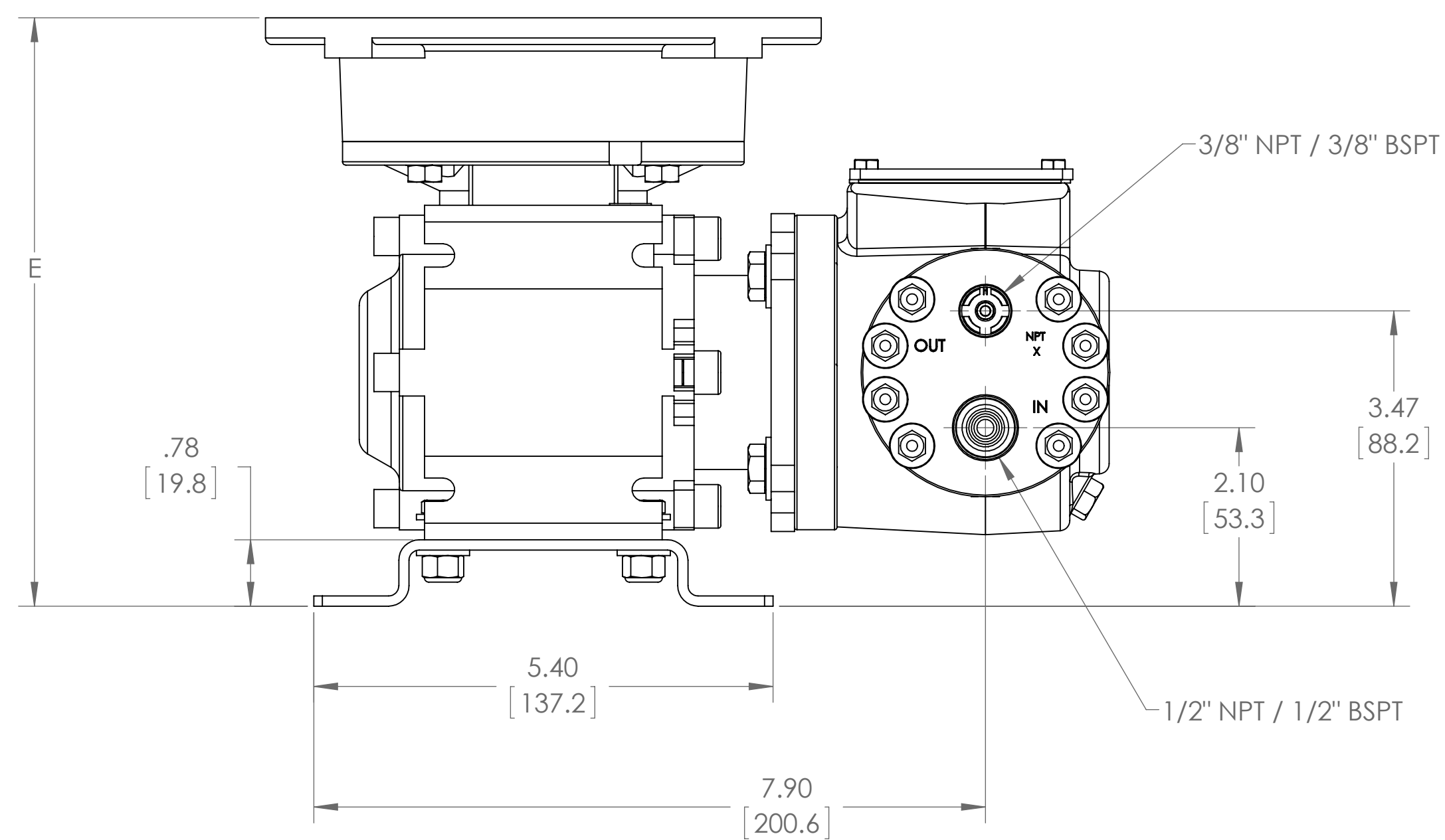
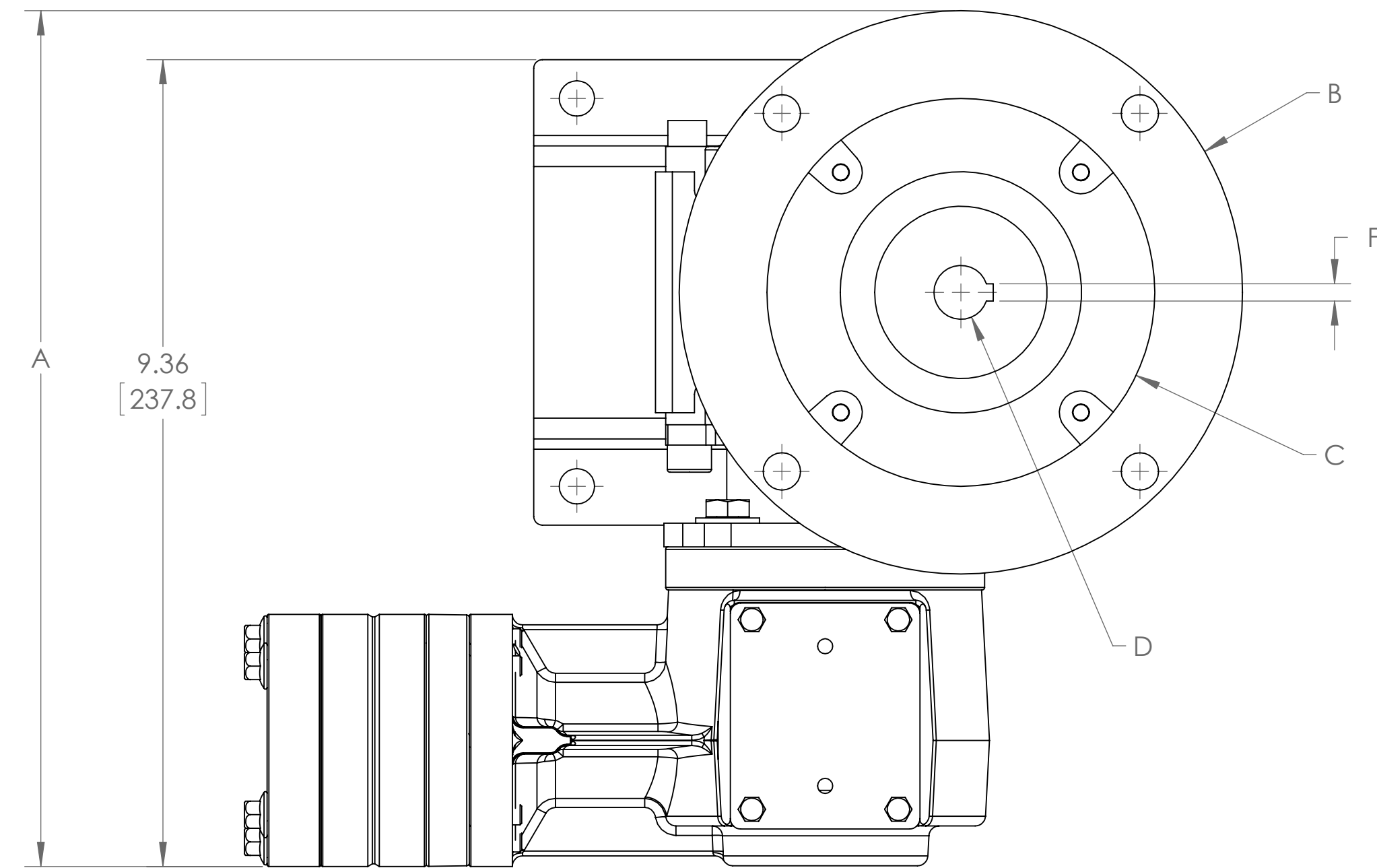


INPUT FRAME SIZE	DIMENSIONS: INCHES AND [MILLIMETERS]									
	A	B	C	D	E	F (SQUARE KEY)	G		H	
							METALLIC PUMP HEAD	PLASTIC PUMP HEAD	METALLIC PUMP HEAD	PLASTIC PUMP HEAD
NEMA 56C	9.93 [252.2]	∅6.54 [∅166]	∅4.50 [∅114.3]	∅.62 [∅15.7]	6.92 [175.8]	.187 [4.75]	11.32 [287.5]	11.61 [294.9]	9.84 [250]	10.09 [256.3]
IEC 63 B5	9.42 [239]	∅5.51 [∅140]	∅3.74 [∅95]	∅.43 [∅11]	6.74 [171.3]	.157 [4]	10.80 [274.3]	11.09 [281.7]	9.84 [250]	10.09 [256.3]
IEC 71 B5	9.81 [249.2]	∅6.30 [∅160]	∅4.33 [∅110]	∅.55 [∅14]	6.74 [171.3]	.196 [5]	11.20 [284.5]	11.49 [291.8]	9.84 [250]	10.09 [256.3]



BASE PLATE 112-090



OUTLINE DRAWING
ALL DIMENSIONS ARE REFERENCE

PROPRIETARY STATEMENT
This document contains confidential and proprietary information and is not to be reproduced or the information contained therein disclosed to others without consent, in writing, from WANNER ENGINEERING INC.

DWN	04/03/2014	MSB
CHK'D		
APP'D		
USED ON		
NEXT ASSY		
SHEET 1 OF 1		
SCALE: 2:3		FORM DBLK

WANNER ENGINEERING INC
1204 CHESTNUT AVE. MPLS, MN 55403

TITLE
P100 W/ NORD 40 REDUCER AND INPUT FLANGE

DWG NO

P100 PUMP SERIES

SIZE
D

REV.